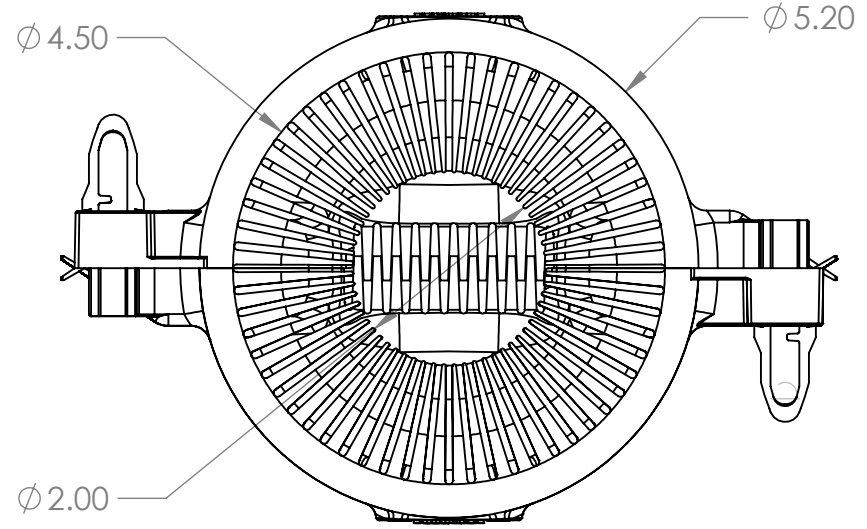
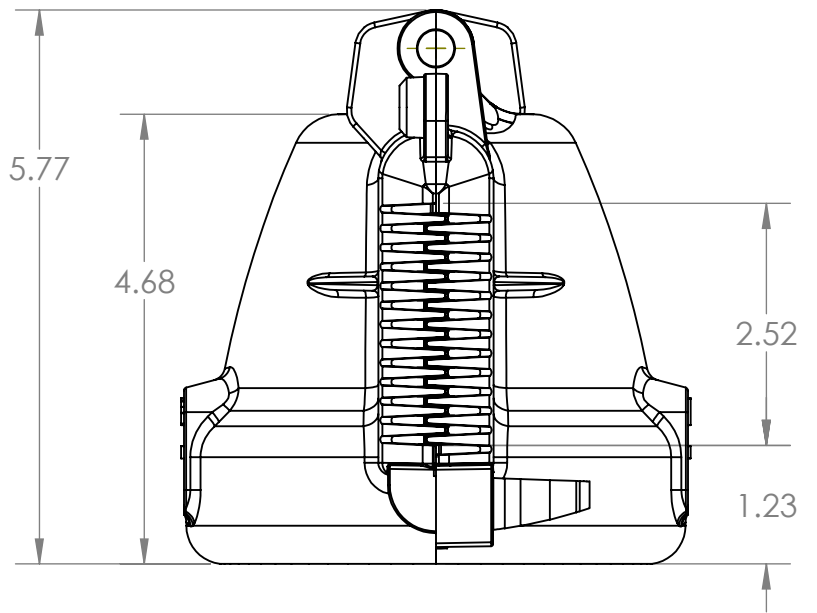
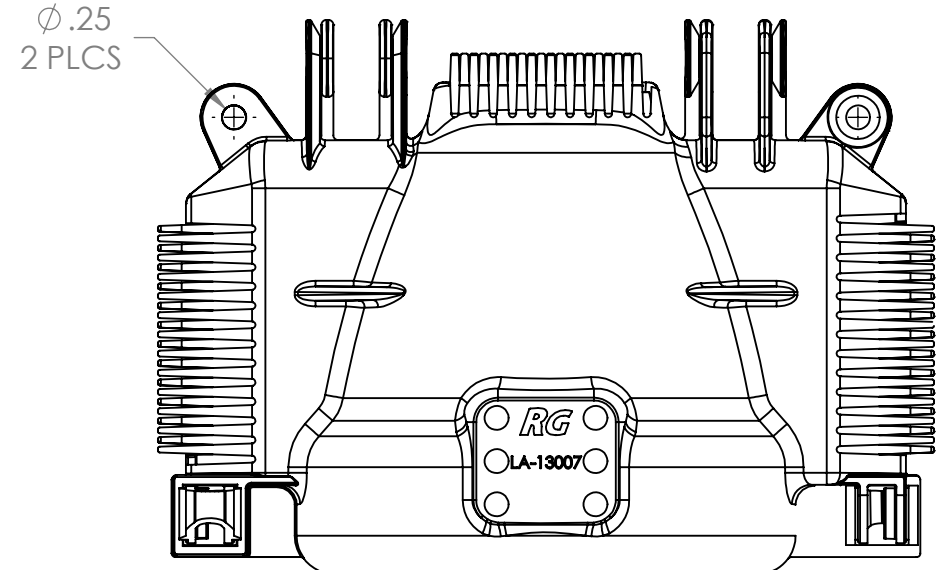
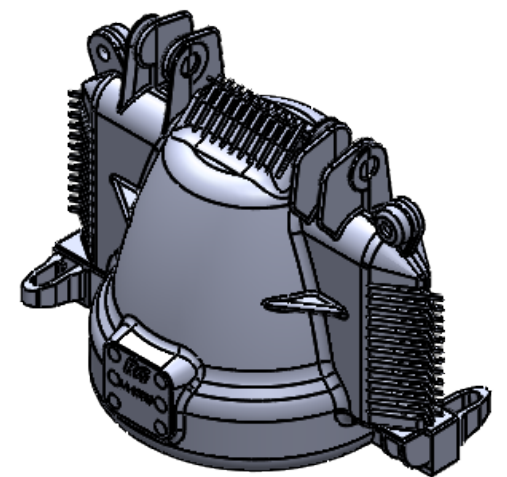
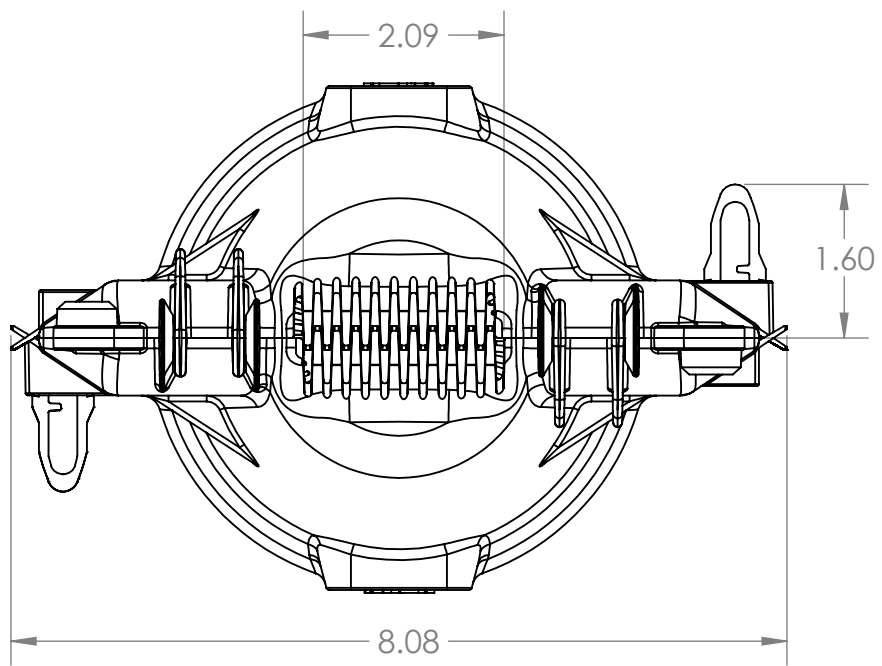


8 7 6 5 4 3 2 1



UNLESS OTHERWISE SPECIFIED:

PROPRIETARY AND CONFIDENTIAL

THE INFORMATION CONTAINED IN THIS DRAWING IS THE SOLE PROPERTY OF RELIAGUARD INC. ANY REPRODUCTION IN PART OR AS A WHOLE WITHOUT THE WRITTEN PERMISSION OF RELIAGUARD INC. IS PROHIBITED.



PROJECTION	TITLE: LIGHTNING ARRESTER GUARD	
MATERIAL RELATANIUM	SIZE B	DWG. NO. LA-13007
DIMENSIONS ARE IN INCHES	SCALE: 1:2	REV A
DO NOT SCALE DRAWING	SHEET 1 OF 1	